

# INSTRUCTION MANUAL

---



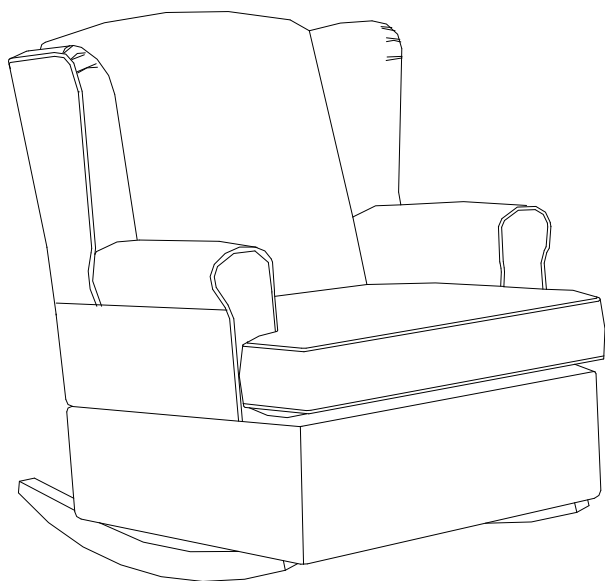
**Model No:**

DA7985 (GREY)

DA7985-BG (BEIGE)

DA7985-I (IVORY)

## Brennan Upholstered Rocker



**UPC CODE:**

0-65857-17935-4 (GREY)

0-65857-17936-1 (BEIGE)

0-65857-17937-8 (IVORY)

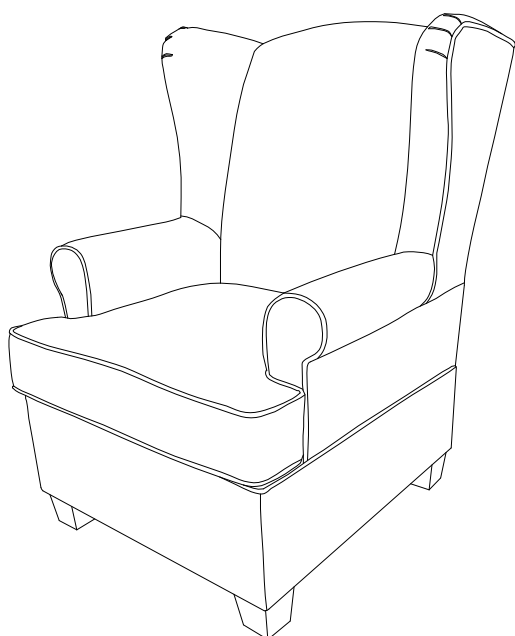
**Lot number:**

(TAKEN FROM CARTON)

---

**Date of purchase:**

\_\_\_\_ / \_\_\_\_ / \_\_\_\_



**DO NOT RETURN PRODUCT TO THE STORE.**

If a part is missing or damaged, contact our customer service department. We will replace the part **FREE** of charge.



Tel #: 1-800-295-1980

E-Mail: [das@dorel.com](mailto:das@dorel.com)

Fax #: 514-353-7819

## CUSTOMER SERVICE

If you are missing parts or have any questions about this product, contact our customer service representative first!



**CALL 1-800-295-1980**

You can also order parts by writing to the address listed below. Please include the product model number, color and a detailed description of the part.

**Customer Service Department No. 413  
12345 Albert-Hudon Boulevard, Suite 100  
Montreal, Quebec  
Canada H1G 3L1**

**E-MAIL: [das@dorel.com](mailto:das@dorel.com)**

## NOTES

- \* Ensure all parts and components are present before beginning assembly.
- \* Assemble on a clean, smooth surface to prevent damage to product finish.
- \* **DO NOT** use power tools.
- \* **CAUTION:** Adult assembly required.
- \* Assembly and handling will require two people.
- \* Estimated assembly time: 20 minutes.

## CARE AND CLEANING

Dust regularly with a soft, dry cloth to prevent soil build up. Keep away from heat to avoid glazing, melting or scorching. Use a professional cleaning service to clean the fabric.

## MAINTENANCE

Check bolts/screws periodically and tighten them if necessary.

## LIMITED WARRANTY

Dorel warrants its product to be free from defects in material and workmanship and agrees to remedy any such defect. This warranty covers 1 year from the date of original purchase. This warranty is valid only upon presentation of proof of purchase. This is solely limited to the repair or replacement of defective furniture components and no assembly labor is included. This warranty does not apply to any product which has been improperly assembled, subjected to misuse or abuse or which has been altered or repaired in any way. Any wearing, tearing or fading of the fabric is not covered under the warranty. This warranty gives you specific legal rights and you may also have other rights which vary from State to State.







**WARNING: Should this product become damaged, and/or components are broken or missing, DO NOT USE.**

# Brennan Upholstered Rocker

## DA7985 / DA7985-BG / DA7985-I

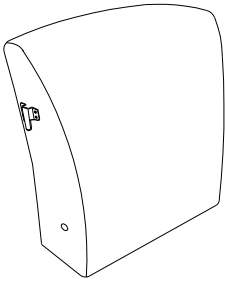


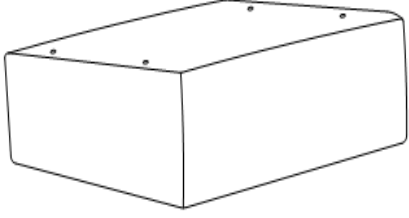
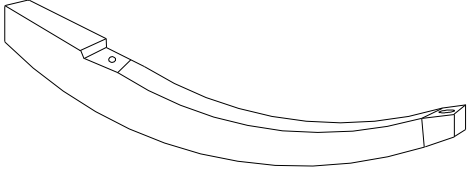
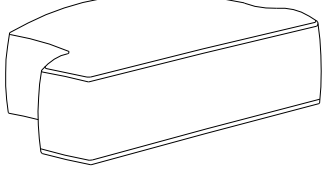
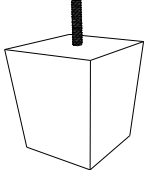
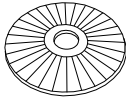
### HARDWARE LIST

<b>1</b>	 <p style="margin-top: 20px;">Ø5/16" X 60mm</p>	<b>2</b>	 <p style="margin-top: 20px;">Ø12.5 X 1.5mm</p>
<b>HEX SOCKET HEAD BOLT</b> <b>10 PCS</b>		<b>SPRING WASHER</b> <b>6 PCS</b>	
<b>3</b>	 <p style="margin-top: 20px;">Ø22 X 1.5mm</p>	<b>4</b>	 <p style="margin-top: 20px;">M5 X 90mm</p>
<b>FLAT WASHER</b> <b>10 PCS</b>		<b>ALLEN KEY</b> <b>1 PC</b>	

# Brennan Upholstered Rocker

## DA7985 / DA7985-BG / DA7985-I

### PARTS LIST

<b>A</b> 	<b>B</b> 
CHAIR BACK 1 PC	RIGHT ARM 1 PC
<b>C</b> 	<b>D</b> 
LEFT ARM 1 PC	SEAT BASE 1 PC
<b>E</b> 	<b>F</b> 
LEG 2 PCS	SEAT CUSHION 1 PC
<b>G</b> 	<b>H</b> 
FEET 4 PCS	PLASTIC WASHER 4 PCS

# Brennan Upholstered Rocker

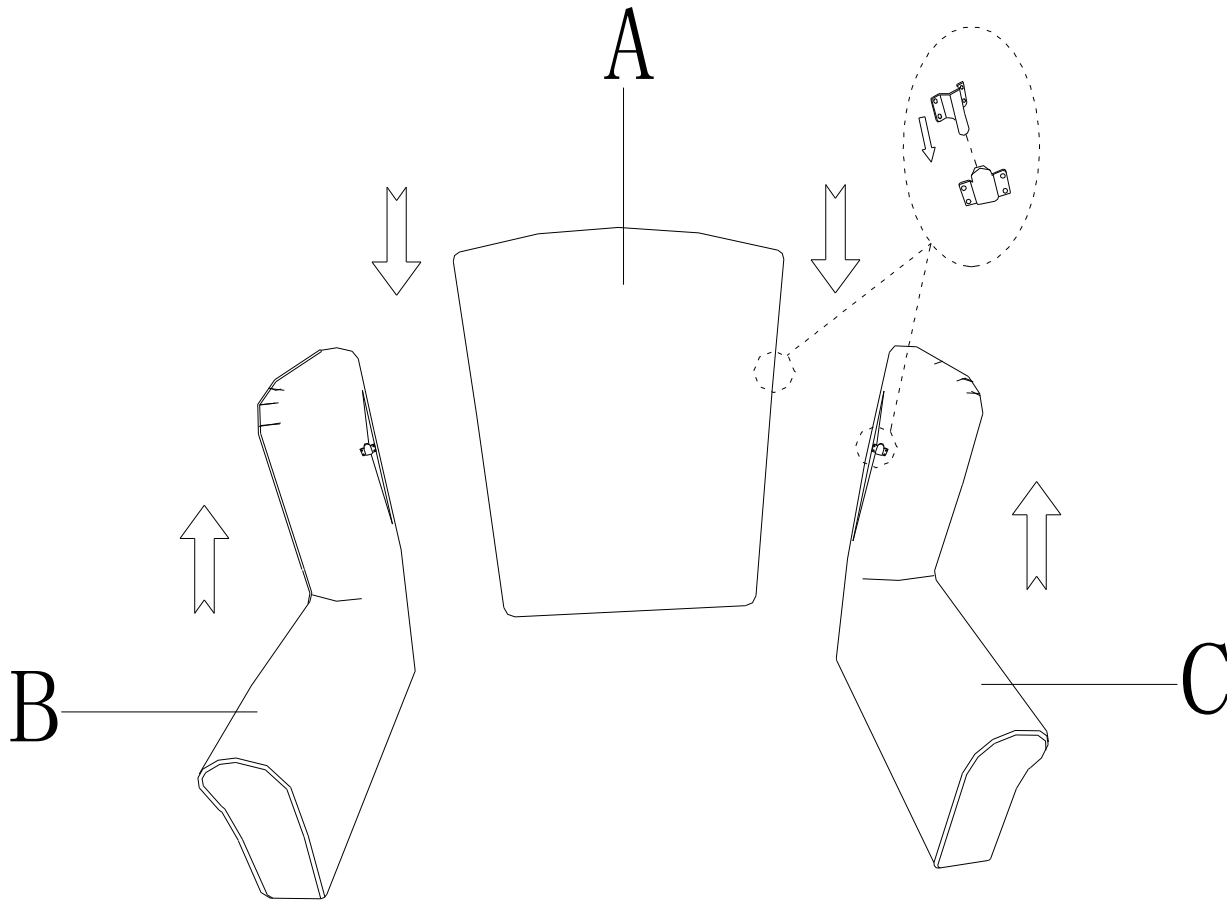
## DA7985 / DA7985-BG / DA7985-I

### STEP 1:

Place all parts on a clean, smooth surface.

Insert the metal brackets on chair back (A) into the metal glides on left arm (C) and right arm (B).

Push the chair back (A) with a downward force to secure it into place.



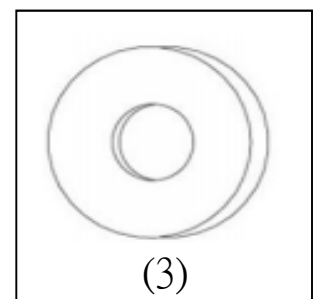
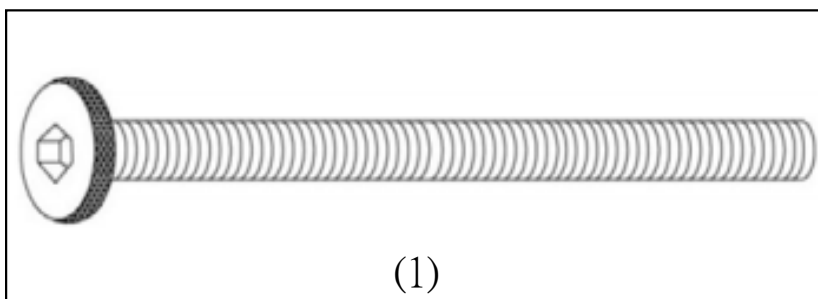
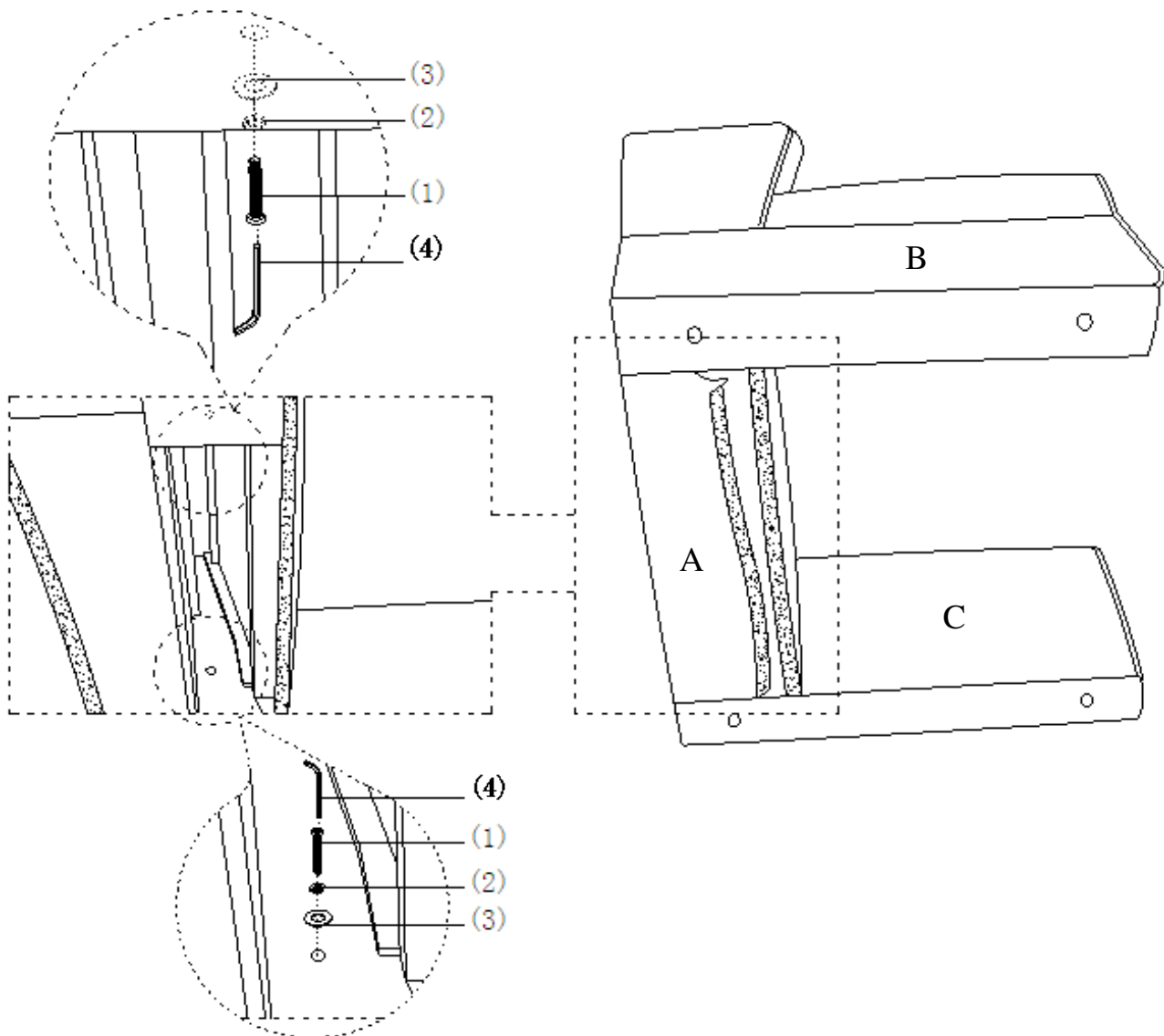
# Brennan Upholstered Rocker

## DA7985 / DA7985-BG / DA7985-I

### STEP 2:

Place the unit on its side and pull back the fabric lining underneath chair back (A). Secure chair back (A) to the right and left arms (B & C) with spring washers (2), flat washers (3) and hex socket head bolts (1). Use Allen key (4) to tighten the bolts.

Place the fabric lining back into place.

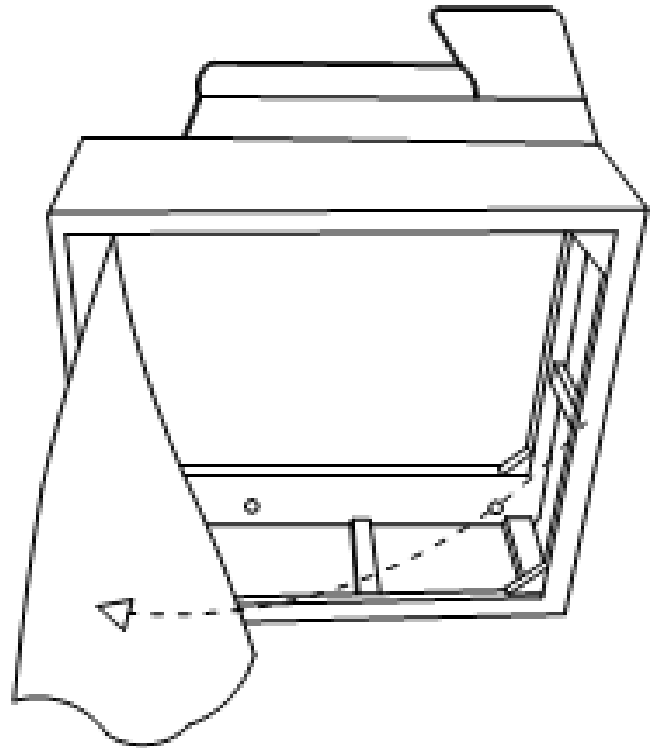
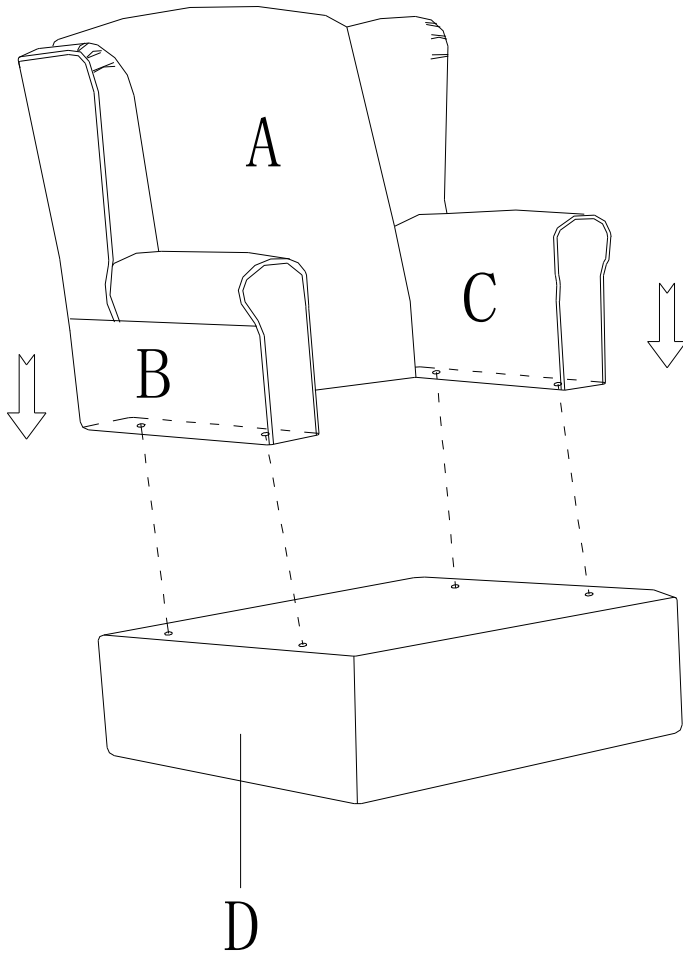


# Brennan Upholstered Rocker

## DA7985 / DA7985-BG / DA7985-I

### STEP 3:

Place the unit on seat base (D). Turn the unit on its side and lift the fabric lining underneath seat base (D).



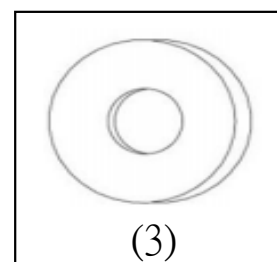
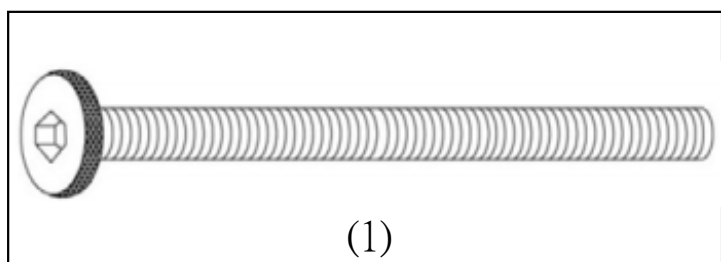
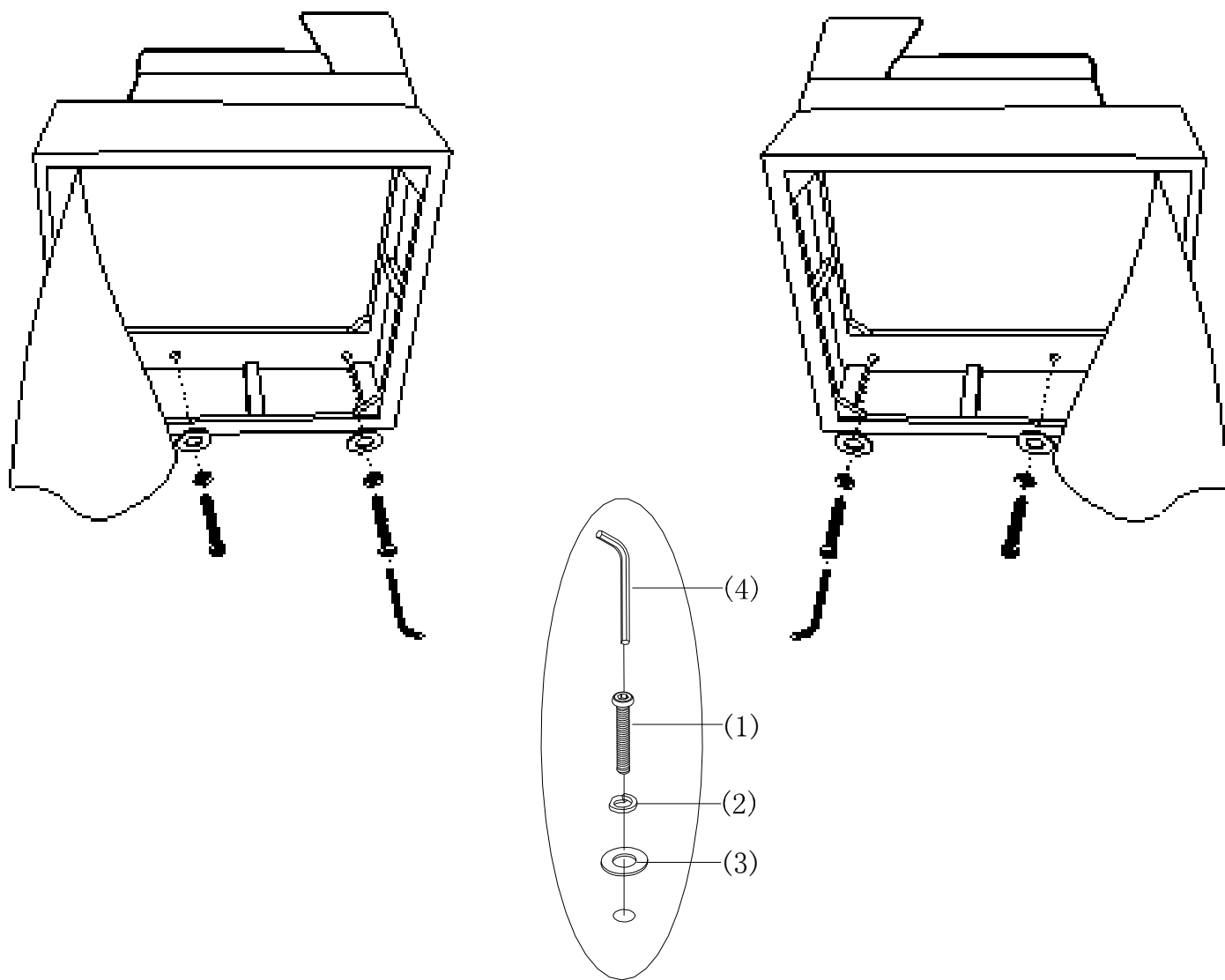
# Brennan Upholstered Rocker

## DA7985 / DA7985-BG / DA7985-I

### STEP 4:

Secure the assembled unit to the seat base (D) with flat washers (3), spring washers (2) and hex socket head bolts (1) as shown below. Use Allen key (4) to tighten the bolts.

Place the fabric lining on seat base (D) back into place.





# Brennan Upholstered Rocker

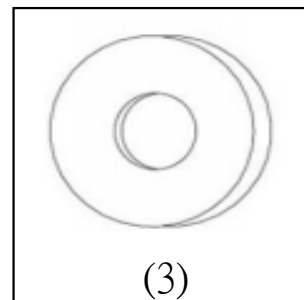
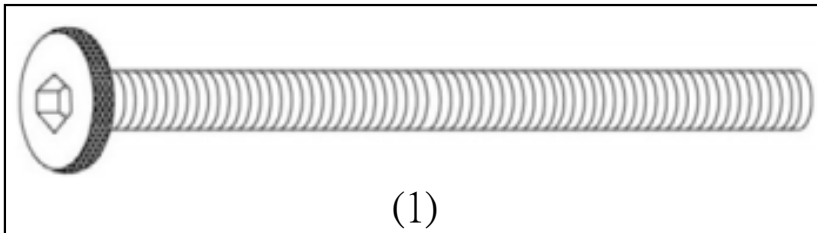
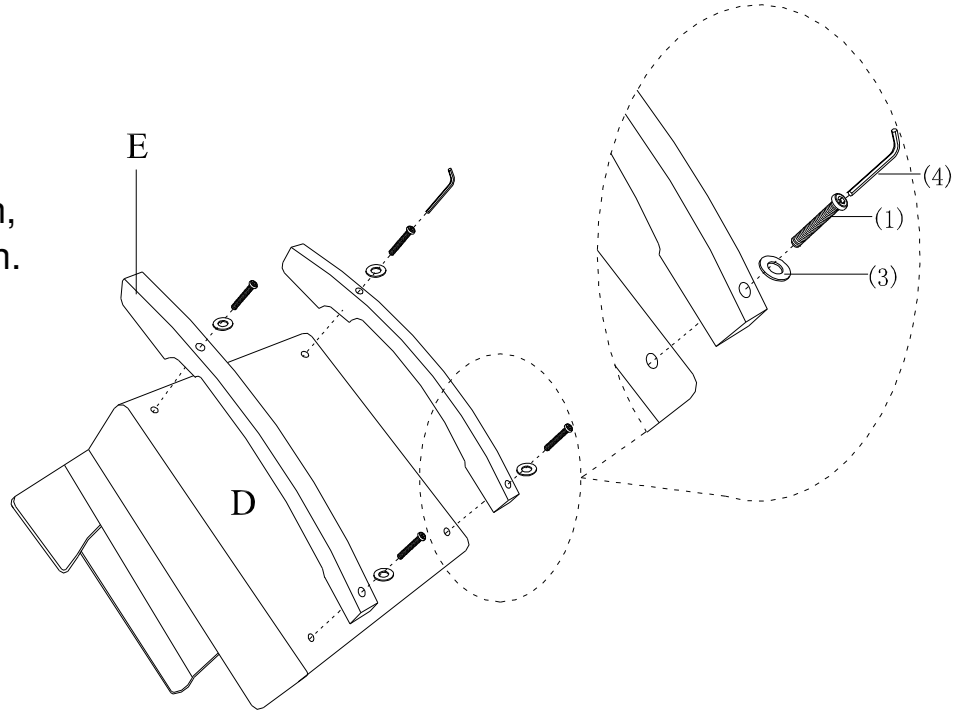
## DA7985 / DA7985-BG / DA7985-I

NOTE- this item can be used as a rocker by attaching legs (E) or a stationary chair by attaching feet (F). Keep all unused parts for possible future use.

### STEP 5:

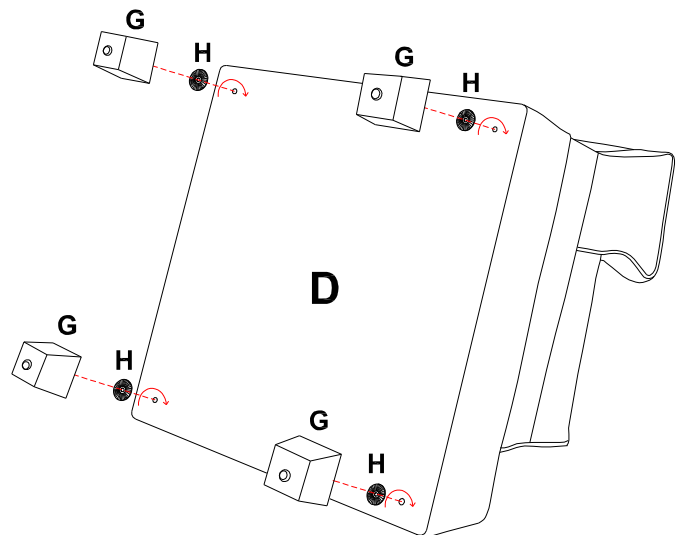
#### A) Rocking Chair

With the help of another person, gently turn the unit upside down. Attach rocker legs (E) to seat base (D) with flat washers (3) and hex socket head bolts (1). Use Allen key (4) to tighten the bolts. Turn the rocker upright.



#### B) Stationary Chair

Attach feet (G) to seat base (D) with plastic washers (H) by rotating clockwise.

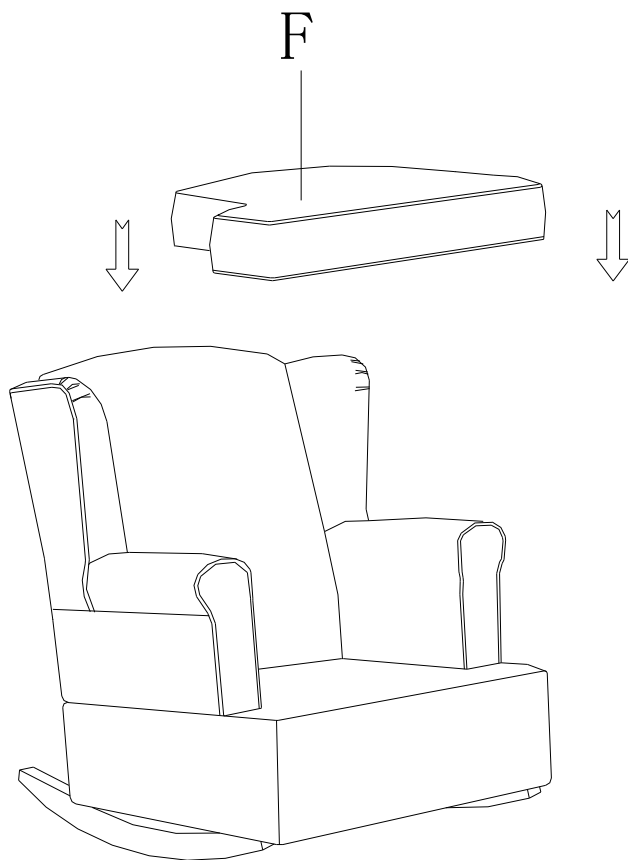


# Brennan Upholstered Rocker

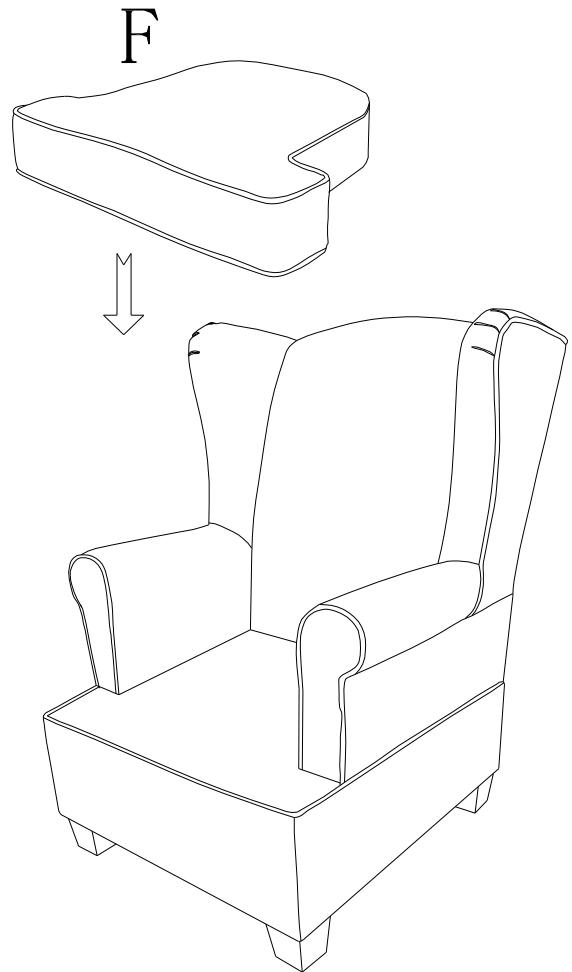
## DA7985 / DA7985-BG / DA7985-I

### STEP 6:

Place seat cushion (F) on the rocker.



or



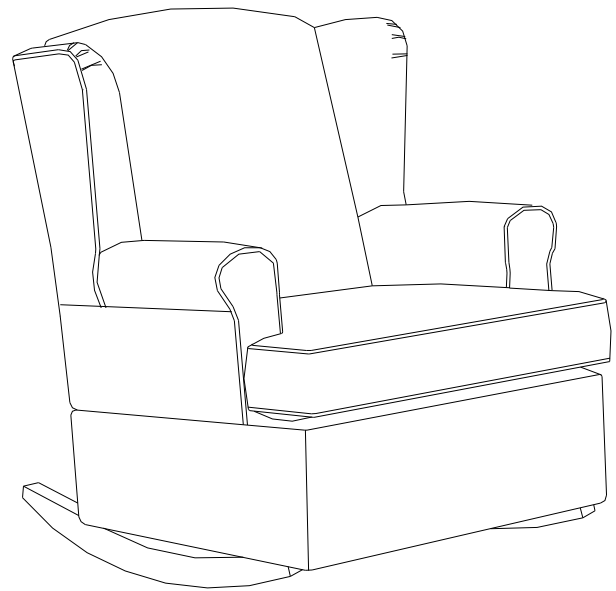
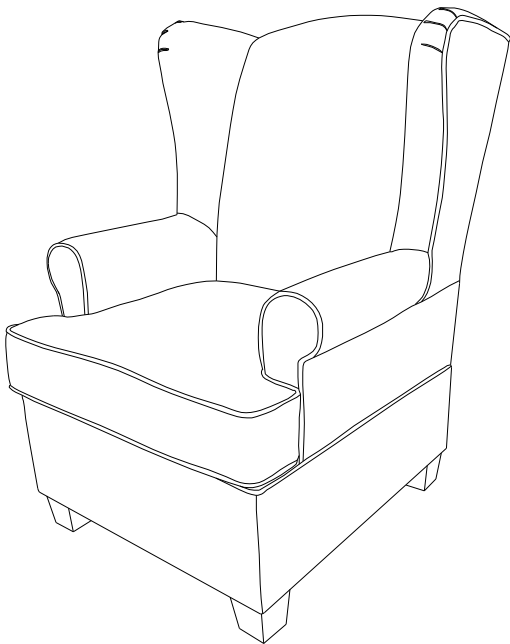
# Brennan Upholstered Rocker

## DA7985 / DA7985-BG / DA7985-I



**CAUTION:** This unit is intended for use only with the products and/or maximum weights indicated. Use with other products and/or products heavier than the maximum weights indicated may result in instability or cause possible injury.

Dust regularly with a soft, dry cloth to prevent soil build up. Keep away from heat to avoid glazing, melting or scorching. Use a professional cleaning service to clean the fabric.



**Maximum weight = 225 lbs**

Congratulations! You've finished assembling your Upholstered Rocker.

**DO NOT RETURN PRODUCT TO THE STORE.**

If a part is missing or damaged, contact our customer service department. We will replace the part **FREE** of charge.



Tel #: 1-800-295-1980  
E-Mail: [das@dorel.com](mailto:das@dorel.com)  
Fax #: 514-353-7819

# Customer Service

**PLEASE DO NOT RETURN THIS PRODUCT TO THE STORE**

**PLEASE CONTACT CUSTOMER SERVICE REPRESENTATIVES AT THE FOLLOWING NUMBERS SHOULD THERE BE ANY MISSING OR DEFECTIVE PART(S).**

Customer Service Phone Number 1-800-295-1980 Customer Service Fax Number 514-353-7819	Email: <a href="mailto:das@dorel.com">das@dorel.com</a>
--	---

Request Date:

Name:

Shipping Address:

Street & Number:

City & State:

Zip Code:

Day Time Phone Number:   
(including area code)

Date & Place of Purchase:

Part(s) description and quantity (Please be sure to list model number or SKN number):